

## APPLICATION

Sandvik DX700 is a hydraulic, self-propelled, self-contained, crawler based surface drilling rig equipped with a cabin (F.O.P.S. and R.O.P.S.) and rod handling system. It drills vertical, inclined or horizontal holes with a diameter of 64 - 115 mm (2 1/2" - 4 1/2") utilizing 38, 45 or 51 mm (1 1/2", 1 3/4" or 2") extension rods.

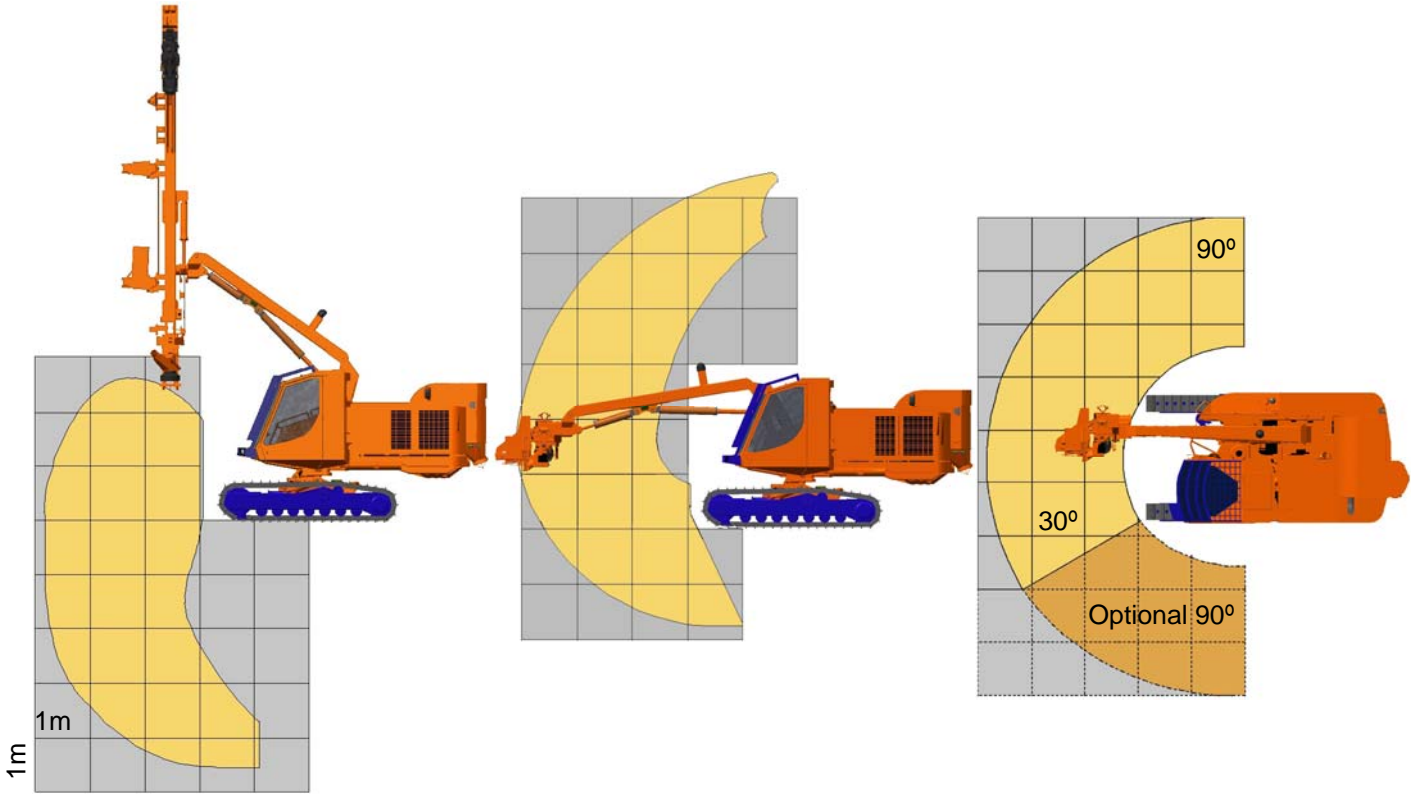
DX700 is equipped with HL 710, hydraulic top hammer rock drill. With high rotation torque, sufficient flushing and sophisticated ergonomic drilling control system the rig is well suited also in very fractured rock conditions. The rock drill and articulated boom are mounted on the turnable superstructure giving a drilling coverage of 17,6 m<sup>2</sup> (optionally 26,4 m<sup>2</sup>).

The powerpack of DX700 consists of a Caterpillar diesel engine and a gearbox, which divides the power for hydraulic pumps and flushing air compressor. The powerpack is mounted crosswise at the rear end of the superstructure to keep counterweight on the opposite side of the boom and feed regardless of the drilling direction.

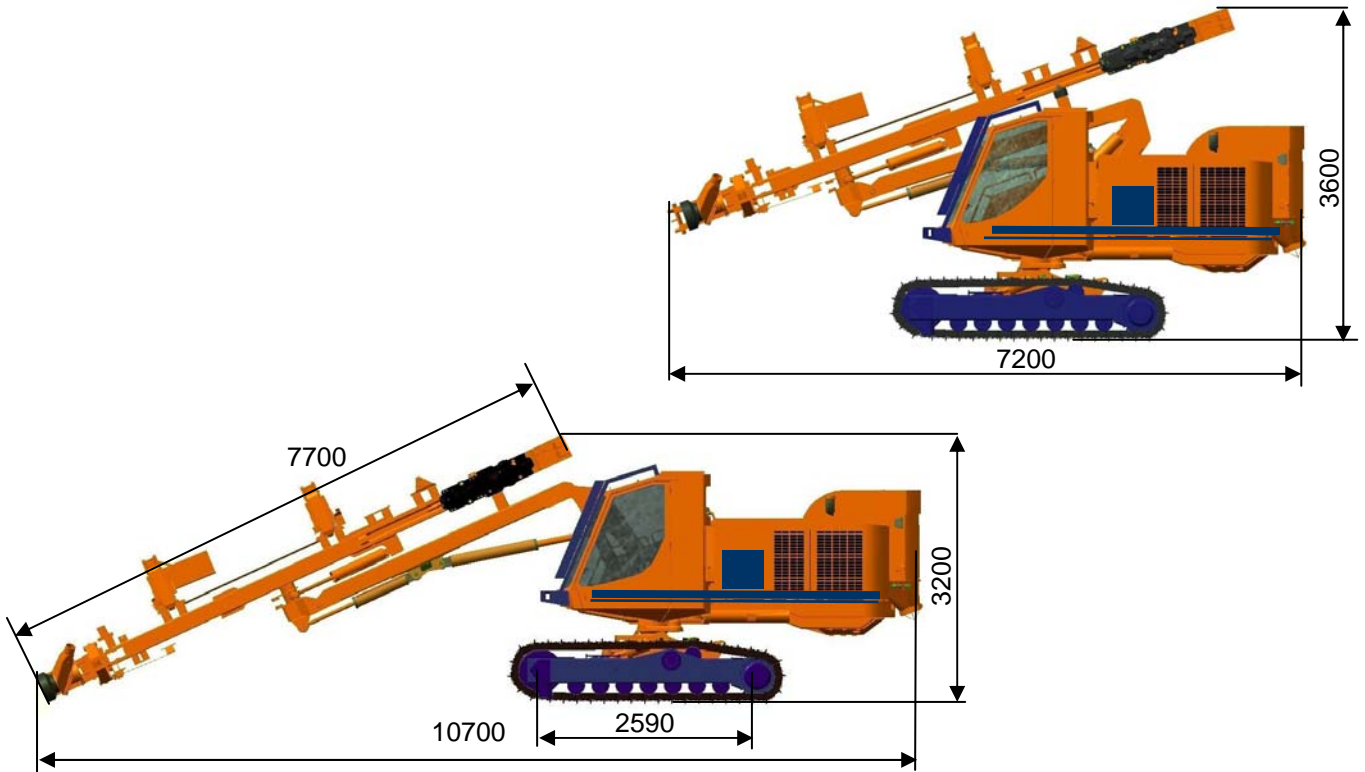
DX700 has an ergonomic cabin to increase operator's safety and visibility. The cabin is certified for R.O.P.S. (ISO-3471 Roll-Over Protection Structure) and F.O.P.S. (ISO-3449 Falling Object Protection Structure). Windows are laminated for added safety. The noise level in the cabin is less than 80 dB(A). To keep dust at a minimum, the cabin is fitted with efficient filters for incoming fresh air. Adjustable seat, good visibility, adequate lighting and an optimum working temperature are among the many features ensuring a good operating environment. Drilling functions are proportionally controlled by one hydraulic joystick. Several routine functions e.g. antijamming are executed automatically. There are fewer levers to make it easy to use. Driving, rear jack and winch control can be done outside the cabin from the optional remote control box.

Typical applications for DX700 are road cutting, pipeline drilling and foundation drilling, as well as production drilling in medium size quarries. Therefore DX700 is most often used by construction contractors, mines and quarries, and also included in the equipment fleet of rental houses as well.

**DRILLING DIMENSIONS**



**TRANSPORT DIMENSIONS**



## STANDARD COMPONENTS

- |     |                             |  |
|-----|-----------------------------|--|
| 1.  | Rock drill                  | HL 710, hydraulic  |
| 2.  | Chain feed                  | CF 145H  |
| 3.  | Rod handler                 | RH 714 incl. 1 set of jaws   |
| 4.  | Boom                        | DB 800H, articulated   |
| 5.  | Carrier                     | Track mounted, turnable superstructure                                     |
| 6.  | Powerpack                   | Diesel driven, hydraulic pumps and on-board compressor                     |
| 7.  | Hydraulic system            | Load sensing and open center   |
| 8.  | Control system              | THC 700 Rock Pilot   |
| 9.  | Movable drill steel support |  |
| 10. | Operator's cabin            | F.O.P.S. and R.O.P.S.  |
| 11. | Dust collection system      | DC 800 H, hydraulic  |
| 12. | Working lights              | 9 pcs  |
| 13. | Gauge set                   | For accumulator pressure checking  |
| 14. | Reversing alarm             |  |
| 15. | Manuals                     | Service and spare parts manuals:<br>2 x paper copy<br>2 x CD-ROM (Toolman) |
| 16. | EU-safety devices           |  |

## TRANSPORT DIMENSIONS

Weight (without options)	14 800 kg
Width	2.5 m
Height	3.6 m / 3.2 m
Total length	7.2 m / 10.7 m

## THE JAWS FOR DRILL STEELS

	Drill steel type	Drill steel diameter	Recommended hole diameter
1.	Extension rods	38 mm 1 ½"	64 - 70 mm 2 ½" - 2 ¾"
2.	MF-rod	38 mm 1 ½"	64 - 70 mm 2 ½" - 2 ¾"
3.	Extension rods	45 mm 1 ¾"	76 - 89 mm 3" - 3 ½"
4.	MF-rod	45 mm 1 ¾"	76 - 89 mm 3" - 3 ½"
5.	MF-rod	51 mm 2"	89 - 115 mm 3 ½" - 4 ½"
6.	Extension rods	51 mm 2"	89 - 115 mm 3" - 3 ½"

### Note

- not with 10' MF-rods
- with hose reel only 10' or 12' rods
- 51 mm (2") extension rods only 5 + 1
- if several jaws selected please specify jaws assembled

## SELECTION OF OPTIONS

- |     |  |     |   |
|-----|--|-----|---|
| 1.  | Turnable superstructure 180°   | 21. | Primary separator PE 50   |
| 2.  | Air conditioning   | 22. | Horizontal drilling kit (includes hose reel)                                    |
| 3.  | Rod greasing system  | 23. | Hose reel (not with 14' rods)   |
| 4.  | P&Q electric vertical angle indicator (± 6 deg.)   | 24. | Radio with CD player  |
| 5.  | Electric angle indicator TIM 2302 with aiming unit   | 25. | Central lubrication system  |
| 6.  | Measuring system TIM 2303 with aiming unit   | 26. | Kit for alternative steels  |
| 7.  | Laser based measuring system TIM 2305  | 27. | Water injection system with tank  |
| 8.  | Power extractor  | 28. | Water injection system w/o tank   |
| 9.  | Electric filling pump for refuelling   | 29. | Zero Dust system  |
| 10. | Remote control box; for rear ground support, driving and oscillation   | 30. | Biodegradable hydraulic oil, Shell naturelle HFE 46 or HFE 68 (synthetic ester) |
| 11. | Remote control box + hydraulic winch with cable tightness automatics (replaces and includes previous option) | 31. | Extra manuals   |
| 12. | Hydraulic rear ground support  | 32. | First service kit for DX700 <sup>2</sup>  |
| 13. | Three-bar grouser plates   | 33. | Special tools for HL 710, field kit ID 150 734 88                               |
| 14. | Guides for grousers  | 34. | Special tools for HL 710, complete ID 150 730 78                                |
| 15. | Fuel operated heater for cabin, hydr. oil and engine   | 35. | Antifreeze for air lines  |
| 16. | Flushing control automatics  | 36. | Vacuum cleaner for cabin  |
| 17. | Shut down of suction for water holes   |     |   |
| 18. | Sanrock Mini H hydraulic bit grinder   |     |   |
| 19. | Readiness for Power extractor  |     |   |
| 20. | Towing hook  |     |   |

Sandvik Mining and Construction reserves the right to change this specification without further notice.