
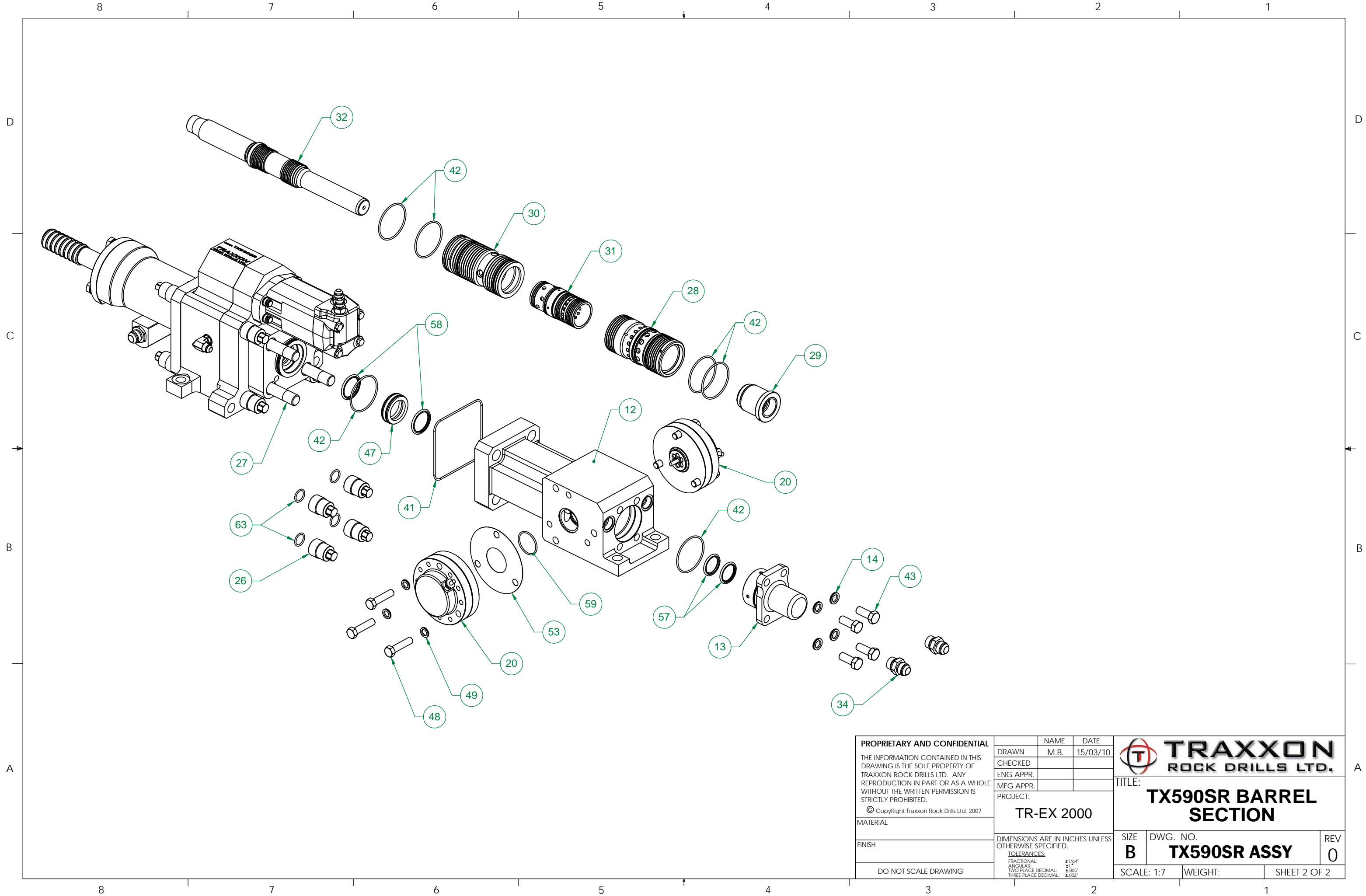



PROPRIETARY AND CONFIDENTIAL THE INFORMATION CONTAINED IN THIS DRAWING IS THE SOLE PROPERTY OF TRAXXON ROCK DRILLS LTD. ANY REPRODUCTION IN PART OR AS A WHOLE WITHOUT THE WRITTEN PERMISSION IS STRICTLY PROHIBITED. © Copyright Traxxon Rock Drills Ltd. 2007	NAME	DATE	 TRAXXON ROCK DRILLS LTD.	
	DRAWN	M.B.		15/03/10
	CHECKED			
	ENG APPR.			
	MFG APPR.		TITLE:	
	PROJECT:		TX590SR ROTATION SECTION	
			SIZE	
			B	
			DWG. NO.	
			TX590SR ASSY	
			REV	
			0	
			SCALE: 1:7	
			WEIGHT:	
			SHEET 1 OF 2	

DO NOT SCALE DRAWING

DIMENSIONS ARE IN INCHES UNLESS OTHERWISE SPECIFIED.
 TOLERANCES:
 FRACTIONAL: ±1/64"
 ANGULAR: ±1°
 TWO PLACE DECIMAL: ±0.005"
 THREE PLACE DECIMAL: ±0.002"



PROPRIETARY AND CONFIDENTIAL THE INFORMATION CONTAINED IN THIS DRAWING IS THE SOLE PROPERTY OF TRAXXON ROCK DRILLS LTD. ANY REPRODUCTION IN PART OR AS A WHOLE WITHOUT THE WRITTEN PERMISSION IS STRICTLY PROHIBITED. © Copyright Traxxon Rock Drills Ltd. 2007	NAME	DATE	 TRAXXON ROCK DRILLS LTD.	
	DRAWN	M.B.		15/03/10
	CHECKED			
	ENG APPR.			
	MFG APPR.			
MATERIAL	PROJECT:		TITLE:	
	TR-EX 2000		TX590SR BARREL SECTION	
FINISH	DIMENSIONS ARE IN INCHES UNLESS OTHERWISE SPECIFIED.		SIZE DWG. NO. REV	
	TOLERANCES: FRACTIONAL: ±1/64" ANGULAR: ±1° TWO PLACE DECIMAL: ±.005" THREE PLACE DECIMAL: ±.002"		B TX590SR ASSY 0	
DO NOT SCALE DRAWING	SCALE: 1:7	WEIGHT:	SHEET 2 OF 2	